



GigaPan[®]

EPIC & EPIC 100 User Guide

© 2010 GigaPan. All rights reserved.

GigaPan is a registered trade and service mark of Carnegie Mellon University licensed by GigaPix Systems, LLC.

In this guide...

Please Note: This manual applies to both the EPIC and EPIC 100 robotic camera mounts. Both models will be referred to as the EPIC, unless otherwise noted.

1. Introduction	1
1.1 What is the GigaPan System?	1
1.2 GigaPan EPIC Parts	3
1.3 GigaPan EPIC 100 Parts	4
1.4 EPIC Special Features	5
1.5 EPIC 100 Extra Features	5
2. Setting up the GigaPan EPIC	6
2.1 Get your equipment ready	6
2.2 Install Batteries	6
2.3 Mount the GigaPan EPIC on a tripod	7
2.4 Mount your camera	8
2.5 Adjust mounting tray/operating arm	8
2.6 Align your camera to the GigaPan EPIC	8
2.7 Set-up your camera	9
2.8 Finding your camera's nodal point	11
3. Using the GigaPan EPIC	13
3.1 Start a new panorama	13
3.2 Repeat your last panorama	14
3.3 Navigating the EPIC Menu	15
3.4 Using the EPIC 100 Extra Features	17
4. Stitching and uploading panoramas	18
4.1 Using GigaPan Stitch software	18
4.2 Share your panoramas online	21
5. Exploring GigaPan.com	25
5.1 View and share	25
5.2 Embed your panorama	27
5.3 Place your panorama on Google Earth	28
6. Troubleshooting	31
6.1 My photos are blurry	31
6.2 My camera is missing pictures	31
6.3 I want to remove the checklist before every panorama	31
6.4 My panoramas are distorted or misaligned	32
6.5 My computer freezes while the stitching software is working	32
7. Tips and tricks	33

1. Introduction

1.1 What is the GigaPan System?

Capturing stunning gigapixel images is easy with the GigaPan System. It is a complete solution with integrated equipment, software and website. The GigaPan EPIC and EPIC 100 work seamlessly with the GigaPan Stitch software and GigaPan.com to capture, upload and share gigapixel panoramas. Zoom into thousands of stunning panoramas from around the world with the amazing GigaPan Viewer. Join GigaPan.com to view and share with friends, take snapshots and embed panoramas on your own website.

Here is an overview of how easy and fun it is to use the GigaPan System, in 4 simple steps:

1. Pick a scene

The GigaPan EPIC automates the panorama-taking process by taking hundreds of images of the selected scene.

2. Click

The GigaPan EPIC automatically operates your camera to take a series of photographs of your scene.



3. Stitch

GigaPan Stitch software assembles, aligns and blends the individual images into one large panorama.

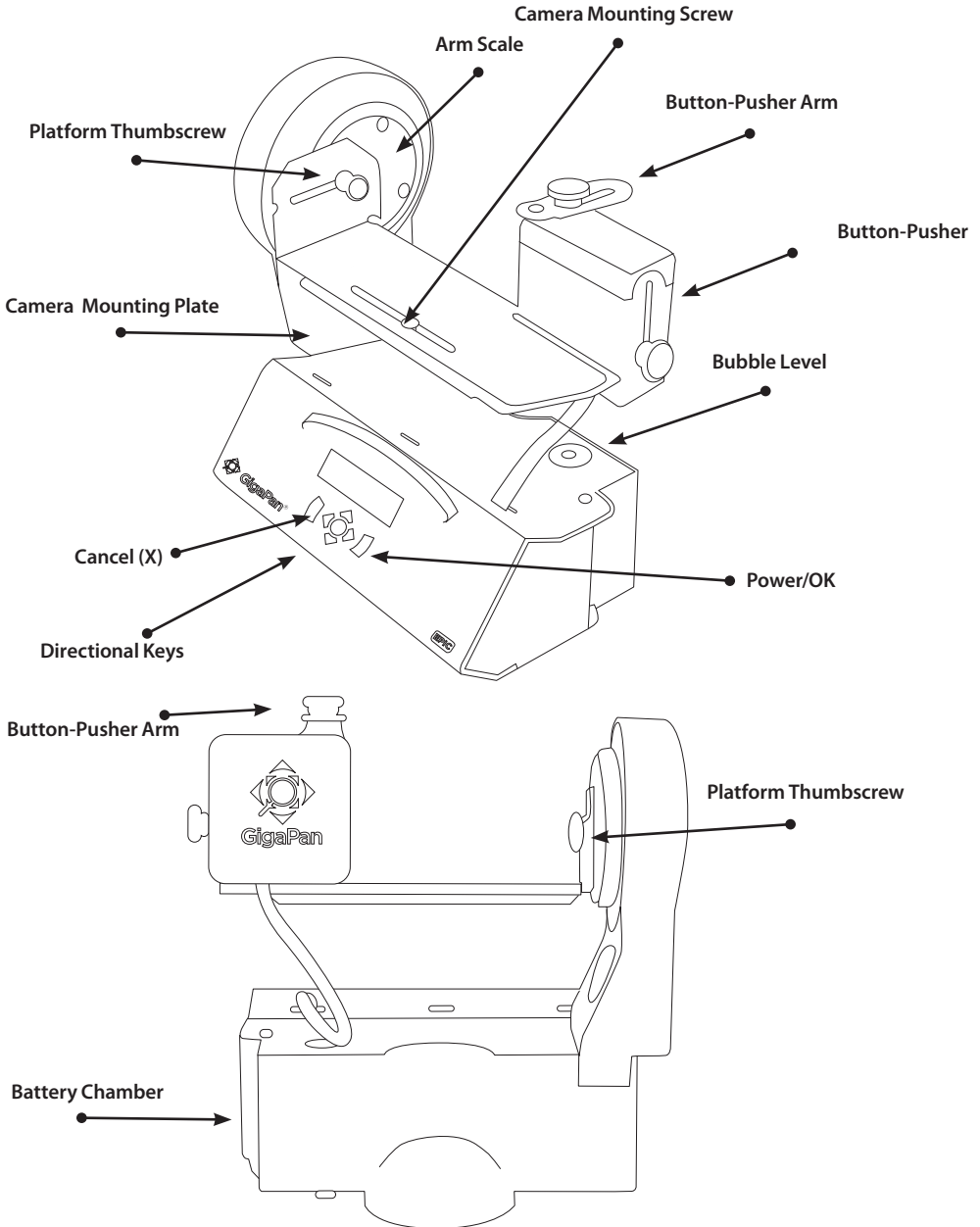


4. Share

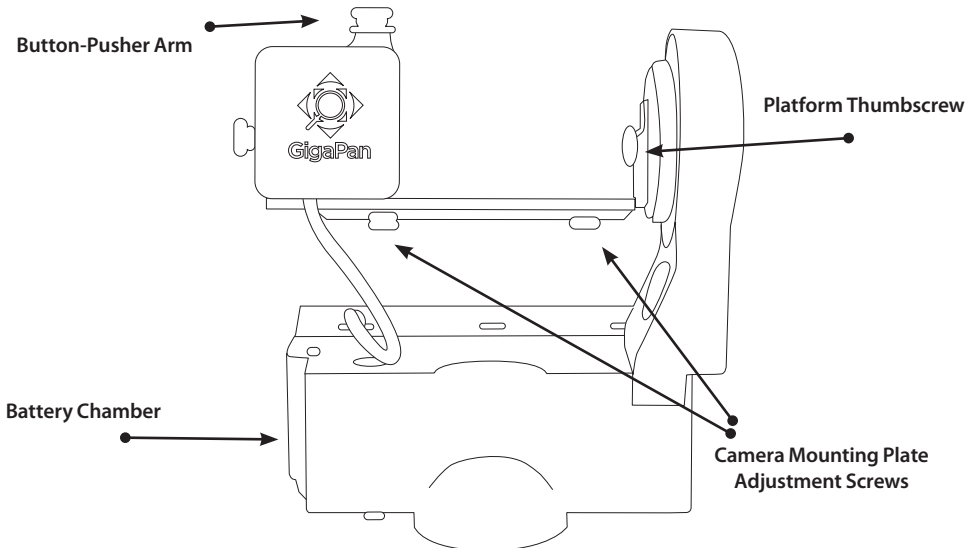
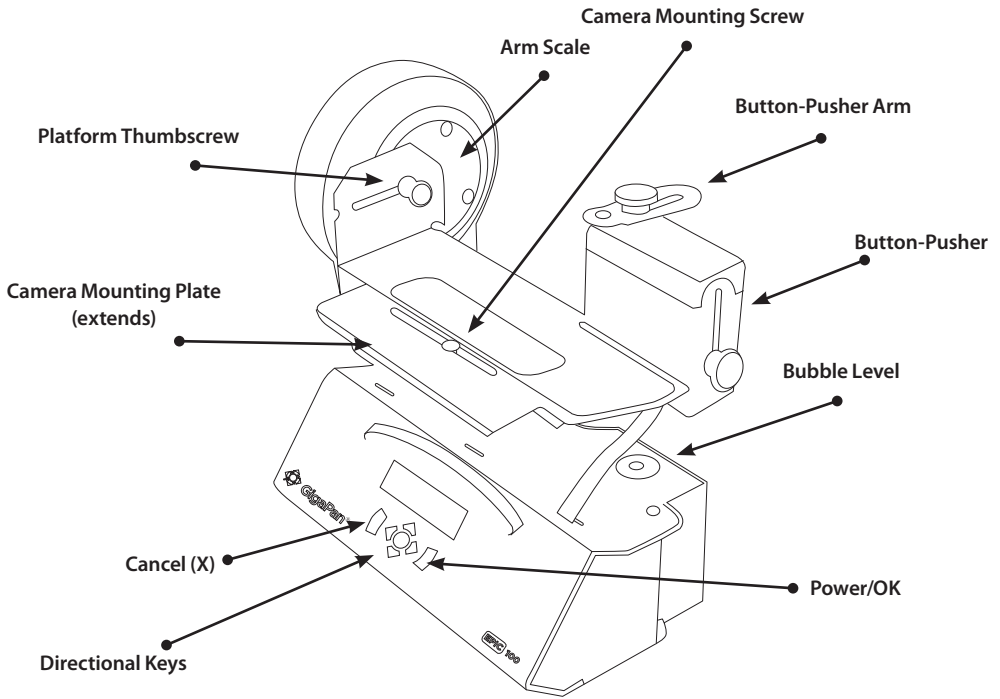
GigaPan Stitch software then uploads your panorama to GigaPan.com to share with friends and the GigaPan community. You also have the ability to embed your uploaded panorama on any website.



1.2 GigaPan EPIC Parts



1.3 GigaPan EPIC 100 Parts



1.4 EPIC Special Features

GigaPan EPIC robotic camera mount captures ultra high resolution images with a broad range of compact digital cameras. Small, lightweight and easy-to-use, EPIC is ideal for travel and adventure.



- Robust and durable, yet compact and lightweight
- 360 degree panoramic range-of-motion
- Easy-to-navigate menu with illuminated display
- Simple camera mount and bubble level allow for quick set-up
- Removable battery pack. Requires 6 AA batteries (rechargeable NiMH or Lithium recommended)

1.5 EPIC 100 Extra Features

The EPIC 100 has all the same great capabilities as the EPIC, plus several extra features, including:



Designed for use with a broad range of large and small point-and-shoot digital cameras

- An extendable metal plate on the camera base to accommodate larger cameras
- A greater elevation of the camera plate from the EPIC 100 body of 33.5 mm to allow for a greater range for camera pitch (tilt or elevation)
- The gearing for the pitch is 15:1 (versus 5:1 for the EPIC) allowing for greater holding torque and finer precision movements

Multiple Shutter - Setting allows GigaPan EPIC 100 to take up to 9 pictures at each image location (See Chapter 3.4 for more information)

Digital Remote Shutter - EPIC 100 supports remote shutter actuation through the remote shutter port available on most DSLR cameras (See Chapter 3.4 for more information)

2. Setting up the GigaPan EPIC

Carefully follow the steps below to capture the highest quality panoramas.

2.1 Get your equipment ready

To start shooting panoramas with your GigaPan EPIC, you will need:

- A tripod, fitted with a standard 1/4-20 tripod screw
- 6 AA rechargeable NIMH or Lithium batteries recommended (Be prepared with a spare set of batteries, especially if using alkaline)
- Digital Camera (see compatible camera list at www.GigaPanSystems.com)
- Camera battery and/or charger
- A memory card (at least 4 GB) *Make sure you have enough memory on your memory card to take the number of pictures the panorama requires*
- A memory card reader, or your camera's USB cable

2.2 Install Batteries

1. Open the battery chamber on the side of the EPIC by squeezing the two battery holder clips together and pulling the holder away from the unit.
2. Remove the battery holder.
3. Install six AA batteries into the battery holder. Double check to ensure there are no gaps between the batteries.
4. Carefully re-insert the battery holder, ensuring that both clips snap securely into place.



A few battery tips:

- Rechargeable batteries can drain even when not in use, so be sure batteries you charged a week or so ago are still charged before you begin shooting.
- It's a good idea to remove the battery holder from the EPIC when transporting the unit to ensure the batteries don't drain if the OK button is accidentally bumped.
- Always keep a spare set of batteries available when shooting.

2.3 Mount the GigaPan EPIC on a tripod

To ensure a steady series of images, use the EPIC with a sturdy tripod fitted with a standard 1/4-20 tripod screw.

1. Set up the tripod. Make sure that the legs have a solid footing on the ground and the tripod's adjustment screws are not loose.
2. If your tripod has a quick-release plate, attach it to the EPIC's tripod mount at the bottom.



Quick-Release Plate



Tripod Mount

3. Gently tighten the screw till the quick-release plate is firmly attached to the GigaPan.
4. Clip the plate back onto the tripod.
5. Center the bubble level on the unit using the tripod legs and head adjustments.

Bubble Level



2.4 Mount your camera

1. For the EPIC 100, extend the camera mounting plate by loosening the two camera platform adjustment screws on the camera mounting plate to accommodate the size of your camera.
2. Loosely attach the camera to the EPIC using the camera mounting screw in the long slot in the bottom of the camera mounting plate.
3. Align the center of the lens with the diamond-shaped hole on the camera mounting plate by sliding the camera from side to side.
4. Make sure the camera is parallel with the camera mounting plate and tighten the camera mounting screw. For the EPIC 100, also tighten the two camera platform adjustment screws to secure the extended metal plate.
5. Using the thumbscrew on the side of the button pusher, adjust the height so that the button pusher arm is approximately level with the shutter button.
6. Using the thumbscrew on top of the button pusher arm, place the black rubber nub in the center of the shutter button.



2.5 Adjust mounting tray/operating arm

Step 1. Measure the height to the center of your camera lens from the camera mounting plate as shown, then find the closest height value in the table and determine the corresponding black number.

Lens Height		Black Number
cm.	in.	
3.7	1.46	-12
3.5	1.38	-10
3.3	1.3	-8
3.1	1.22	-6
2.9	1.14	-4
2.7	1.06	-2
2.5	0.98	0
2.3	0.91	2
2.1	0.83	4
1.9	0.75	6
1.7	0.67	8
1.5	0.59	10
1.3	0.51	12

Step 2. Find this black number on the arm scale, loosen the platform thumbscrew, and rotate the camera mounting plate such that the black alignment line of the correct black number lines up with the diamond cutout on the arm. The camera shown here has a lens height of 1.125"; this height is closest to 1.14", corresponding to black number -4.



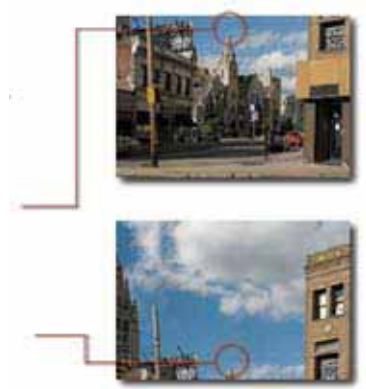
Step 3. Tighten the platform thumbscrew keeping the correct black number aligned and the thumbscrew centered in the slot. This setting ensures the EPIC pitches about the optical center of the camera. Note: The slot in the arm allows for parallax error correction. See Chapter 2.8 for more information on reducing parallax error. This is not necessary for panoramas taken at a reasonable distance (50 feet or greater).



2.6 Align your a camera to the GigaPan EPIC

If this is your first time using the EPIC, if you are using a new camera, or if you change your camera's zoom level, you will need to align your camera with the EPIC. This is also called 'Setting the Field of View'.

1. Turn on your camera and set it to full optical zoom. This ensures your panoramas will have the maximum resolution possible. Note: There are some scenarios in which you don't want your camera to be set at full zoom, please see Chapter 7.2 for more information.
2. Turn on the EPIC by holding down the OK button. The first time you use the EPIC it will prompt you to set 'Field of View' immediately. After that it can be found under 'Set-up' in the menu.
3. The EPIC will now prompt you to find an object in the picture you can distinguish and using the down button on the EPIC move it to the top of the screen.
4. When this is done, press the OK button. Now, taking that same object and using the up button move it to the bottom of the screen.
5. When this is done press the OK button. The EPIC will now give you a reading of the 'Field Of View' in degrees.



2.7 Set-up your camera

Follow the steps below to optimize your digital camera settings for panorama taking. In general you want to "lock" features (exposure, white balance, ISO) that will adjust your image settings from shot-to-shot in the panorama.

1. Switch the camera to 'Manual Mode'.
2. Turn OFF the 'Flash'.
3. Turn OFF 'Digital Zoom'.
4. Turn OFF the 'Automatic Power Down' or 'Sleep' function. Otherwise, your camera will go to sleep after 1-3 minutes, and you will need to reset some of the camera's settings. If you cannot disable the sleep mode, set it to sleep after the longest time possible and keep the camera awake by pushing the shutter half-way down every 1-2 minutes.
5. Set the resolution to its maximum size.
6. Turn off 'Image Stabilization' (IS).
7. Set the 'White Balance' (Daylight, Cloudy, Tungsten or Fluorescent) based lighting conditions. Do not leave in the Auto (AWB) setting.

8. Aim your camera at the most important part of your scene, or find an average exposure.
9. Depending on your camera's abilities, either a) lock or b) set your camera's focus and exposure. (For circumstances when you may not want to lock/set the focus, please see Chapter 7.2)
 - a) Some cameras have a limited manual mode that allows you to turn on Auto Exposure Lock (AEL) and Auto Focus Lock (AFL). Please see your camera's manual for these instructions.
 - b) A camera with full manual mode allows you to manually adjust and set your focus and exposure. Consult your camera manual for further information about the features mentioned above.

Test your set-up

You get the best panoramas when two consecutive pictures overlap by about a third. The best way to test whether your setup is all right is to take a 2x2 panorama. Use the previous instructions to take this panorama, and preview them in your camera. If you don't see a good overlap despite following the instructions, go back and adjust your EPIC set-up.

Good Overlap



Insufficient Overlap



2.8 Finding your camera's nodal point

What is the nodal point?

The nodal point of your camera is the point about which you must rotate your camera for perfect panoramas.

Why does it matter?

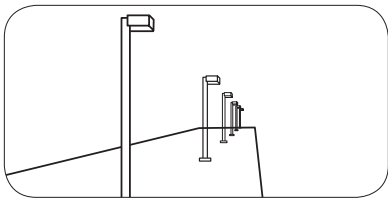
When you rotate a camera about its nodal point, you eliminate an effect called parallax, which causes objects to appear to have shifted when viewed from different lines of sight. To see this in action, close your left eye and hold your right thumb up close to your right eye. Hold your left thumb up at arm's length, such that it gets blocked by your right thumb. Now close your right eye, and open your left. You'll notice that while you could only see your right thumb with your right eye, you can see both thumbs with your left. This is because you're now viewing your thumbs from a different line of sight.

Using this concept, you can eliminate parallax from your camera.

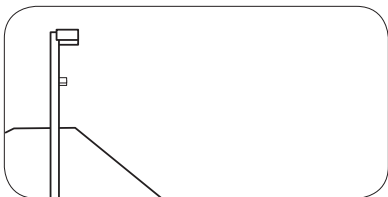
1. Mount your camera on the EPIC.
2. Select a scene that is similar to the above thumb experiment - one object in the foreground, and another in the distant background, being obscured by the foreground object. (A row of pillars or street lights is ideal).

Note: Ideally, the foreground object should be at least 10 feet away from your camera.

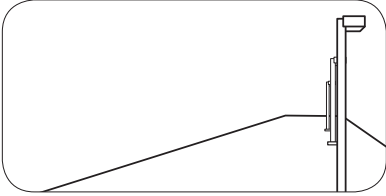
3. Set your camera to its full zoom level.



4. Position your camera so that the foreground object is at the left edge of your screen, and the background object is obscured behind it.



5. Rotate the EPIC so that the foreground object is now at the right edge of the screen.
You'll probably see part of the background object appear behind the foreground object. If you're looking at a row of pillars, the last pillar in the row might move significantly.



6. Loosen the platform thumbscrew and move the platform forward or backward till you can't see the background object any more.
Note: Remember to keep the platform aligned with the black number on the arm gauge.
7. Rotate the EPIC again.
8. If you can see the background object, adjust the platform's position again.
9. Repeat this a few times, till the background object is always hidden, no matter what direction your camera is facing.

You've now found your camera's nodal point.

3. Using the GigaPan EPIC

3.1 Start a new panorama

Taking panoramas with the EPIC is easy—just point it to the top-left and bottom-right corners of your scene to get started.

1. Turn the EPIC on by holding down the Power/OK button.
The first menu item is 'New Panorama'.
2. Press OK to select 'New Panorama'. The EPIC will prompt you through the following steps.
3. Set your camera to its full zoom level and press OK.
4. Use the directional keys to point the camera to the top left corner of your scene, and press OK when you're ready.
5. Now use the directional keys to point the camera to the bottom right corner of your scene, and press OK when you're ready.
While you're doing this, you'll be able to see how many horizontal and vertical pictures the EPIC is going to take.
6. The EPIC will let you preview the panorama before it begins. Press OK if you want it to, or press X to continue without a preview.
7. You'll now need to confirm if you want to go ahead with the panorama.
The EPIC will run you through a checklist before it starts taking pictures.
8. Watch the scene while the EPIC takes your panorama.
9. If someone steps into your frame, or if your camera misses a picture, press X to pause the panorama and use the directional keys to go back to an earlier camera position.

3.2 Repeat your last panorama

The EPIC saves the data for your last panorama until you switch it off, so you can repeat it and correct it if something went wrong with your first try, or if you just want to try the same panorama with a different camera setting.

1. Turn the EPIC on.
2. Use the directional keys to navigate to 'Last Panorama' in the main menu and press OK.
3. The EPIC will let you preview the panorama before it begins. Press OK if you want it to, or press X to continue without a preview.
4. Use the directional keys to point the camera to the top left corner of your scene, and press OK when you're ready.
5. You can use the directional keys to choose which photo the EPIC will start repeating the panorama from, if you don't want to start at the original top-left corner.
6. The rest of the process is the same as any other panorama.

For instructions on how to shoot a 360 degree panorama, please see Chapter 7.

3.3 Navigating the EPIC Menu

Turn the EPIC on by pressing the OK button. The first thing you will see is the word “calibrating.” The robot is checking internal systems at this point. Once this process is done, the first menu option, ‘New Panorama’, will appear. To navigate to other menu options, push the down button. To reach submenus within a menu option, push the OK button once you reach the desired main menu option, then the down button to access the submenu choices. To exit a menu or submenu, push the X button.

To turn the unit off, hold the OK button down until the word “Goodbye” appears

EPIC Menu Tree

New Panorama	• Expert Options
	Button Hold
360 Panorama	NORMAL
	SHORT
Last Panorama	Checklist
	Shutter Method
Options	Button Pusher
• Time per Pic	Remote Port (EPIC 100 only)
• Battery Status	Manual
• Start Delay	Pic Ordering
• Mult. Shutter (EPIC 100 only)	Column
• Factory Reset	Row – down
	Row – up
	Motors On
	Backlight Mode
	Firmware Ver
	Gigapan Setup
	Current FOV
	Set up camera Field of View?

Menu Options Glossary

New Panorama – Sets the upper left photo and the lower right photo that defines the rectangular area of the panorama.

360 Panorama - Sets the upper pitch and the lower pitch of a panorama that is 360 degrees and completes a full circle.

Last Panorama - The EPIC will use the settings from the most recent panorama photographed or set up.

Options – Contains submenus that allow you to change more settings.

Time per Pic - The amount of time that the EPIC will wait until it moves the camera. It is important to allow enough time for the camera to process the current photograph and move the data to flash memory. This is the most likely reason the camera would miss a photograph.

Battery status – This option will tell you what the voltage level of the batteries is. A voltage of 9 volts means that the batteries are fully charged. A voltage of around 7 volts means your batteries will not be able to operate the EPIC for much longer.

Start Delay - Enables a timer delay before each panorama capture begins.

Multiple Shutter (EPIC 100 only) - This option allows you to take multiple pictures at each position during the capture of your panorama. You can take up to 9 pictures at each position. (see Chapter 3.4 for more information)

Factory Reset – This option will reset certain options to their default values. The Time Per Pic, Pic Ordering, Shutter Method, Button Hold and vertical field of view will be reset.

Expert Options - These options will not be used as often by most users, so they are placed in a submenu.

Button Hold – This option may be set to Normal or Short. If Short is selected, the duration of time that the shutter button is depressed is reduced.

Check List – If this option is set to ON, a checklist of things that need to be done in order to successfully create a technically good image are presented to the user before the panorama is taken.

Shutter Method – This option allows you to choose how the unit will operate your camera's shutter. The settings are Button Pusher, Remote Port and Manual. Button Pusher is the normal, default method. If the Manual method is used, the user must manually actuate the shutter and press the OK button on the EPIC to advance to the next photograph. Remote Port is available for the EPIC 100 only, see Chapter 3.4 for more information.

Pic Ordering – This option allows you to specify the general order for taking photographs in your panorama. The settings are column, row–down, and row–up. If the column setting is chosen, the EPIC will photograph the panorama one column at a time starting from the left side. The EPIC will travel from the top of a column downwards taking photographs. When the EPIC reaches the bottom of the panorama, it will move to the next column and start from the top. If the row–down setting is chosen, the EPIC will take the panorama as a set of rows. The EPIC will start at the top row and photograph from left to right. When the EPIC reaches the right side it will move downwards to the next row. If the row–up setting is chosen the EPIC will shoot rows from the left side of the bottom row and move upwards to the next row until it has photographed all of the rows in the panorama.

Motors On - This option allows you to turn the stepper motors off so that you can move the arm and EPIC about while it is powered on.

Backlight Mode - This setting allows you to choose when the back light is in use. The options are Power Save, Always Off, Always On.

Firmware Ver – This will display the version number of the firmware for the EPIC.

GigaPan Setup – This option will allow you to change the vertical field of view when you change cameras or lenses. See “Align your camera to the GigaPan EPIC” in Chapter 2.6 for details on determining the field of view.

3.4 Using the EPIC 100 Extra Features

The following are advanced options that are available for the EPIC 100 only.

Remote Shutter Port

The remote shutter is an option called 'Remote Port' under the 'Shutter Method' menu item, which you will find under 'Expert Options'. 'Remote Port' uses a cable to connect your camera to the EPIC instead of using the button pusher. Using the 'Remote Port' method can allow for faster image capture, and less vibration when the pictures are taken.

The remote shutter is only an option for cameras compatible with Canon's E3 connector, typically Canon and Pentax cameras. Please see the compatible camera list on www.GigaPanSystems.com for more information. Please note that Panasonic uses the same mechanical connection, but it's electrically different and will not work with the cable.

1. In the EPIC 100 menu scroll to 'Options' > 'Expert Options' > 'Shutter Method'. Select 'Remote Port' and press OK.
2. Unplug the button pusher cable from the EPIC 100 (note: the exposed contacts for the button pusher face you when plugged in). At this point you can remove the button pusher from the EPIC 100 if you wish. Just remove the adjustment screw and slide the button pusher out of the camera mounting plate.
3. Plug the remote shutter cable into the EPIC 100 (note: the exposed contacts for this cable will face you; this is opposite of the button pusher cable).
4. Plug the other end of the remote shutter cable into your camera.
5. You can now set up the panorama, and your camera's shutter will be triggered electronically through the cable.

Multiple Shutter

Multiple Shutter can be used for exposure bracketing and focus bracketing, and can also be useful for increasing your chances of capturing crisp pictures in adverse conditions that could cause blurry images - such as wind gusts.

Your multiple shutter use will depend on your camera's capabilities, not all cameras will have exposure and focus bracketing capabilities.

1. Scroll through the EPIC 100 menu to 'Options' > 'Mult. Shutter'.
2. Using the directional keys, select the number of pictures you would like to take per position. Select OK.
3. You can now set up your panorama and the number of pictures you set will be taken at each position.

4. Stitching and uploading panoramas

GigaPan Stitch software automatically takes all your photos and combines them into one big panorama. Once that's done, you can upload it to GigaPan.com, our community site, for everyone to see. You'll need an Intel based Mac or PC with at least 1 GB of RAM (more is better) to stitch photos. The more powerful your computer, the less time required to stitch panoramas. To upload to the GigaPan.com site, your panorama must be at least 50 megapixels (or an average of 35 or more pictures have been stitched together in a single panorama).

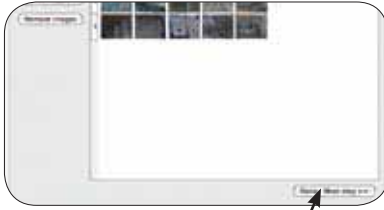
4.1 Using GigaPan Stitch Software

1. Start GigaPan Stitch software—you'll find it under 'Start' > 'Programs' > 'GigaPan Stitcher' in Windows, or under 'Applications' on a Mac. To allow GigaPan Stitch software to work faster, it is recommended that you quit all other programs.
2. Click on 'Add Images'. The pictures must be in JPG format.
3. Select the photographs you took for the panorama from the folder where you've saved them on your computer. Hold down [Shift] to select many images at a time. It's all right if you don't remember the file names—just select the ones you think apply. You can remove the duplicate or extraneous ones or add more photos later.
4. The photos will appear scrambled initially. Change the 'Number of Rows' so they line up properly.



5. If you want to remove a photo, click on it and choose 'Remove Images'. To select multiple photos, click and drag the mouse over them.

Note: *GigaPan Stitch software won't work unless each column has an equal number of photos.*



6. When you're ready, click 'Done'.
7. Save your panorama.
Huge panoramas can take up a lot of space on your drive—they can each take up 100 MB or more—so be sure to have plenty of free space.
8. Take a break!

The GigaPan stitching software needs all your computer's power to align and blend your photographs. Allow time for this process.



9. Once your panorama is stitched, you can explore it by clicking on it and dragging it. To zoom in, use your mouse's scroll wheel. If your mouse doesn't have a scroll wheel, hold down the right button and drag the mouse to zoom in and out.
10. To save this panorama as another file type, select 'File' > 'Export stitched image to' > 'TIFF or Adobe RAW'.
11. If your panorama is larger than 50 megapixels, you can upload it to GigaPan.com where you can share, explore and take snapshots.

Additional GigaPan Stitch Options

To access these additional stitching options click on the 'Options' button on the left side of the stitching software.

Image shooting order

Your options are columns - right, columns - left, rows - down, or rows - up. The EPIC and stitching software default is columns - right; remember to change it in the stitching software if you change your shooting order in the EPIC.

Combine images in draft mode

Draft mode causes seams between images to be visible, but speeds up stitching some. This option removes the blending step of the process, which speeds up stitching and could be useful for quickly checking what your image will look like. This option is typically not necessary.

Build panorama at 50% scale

Using 50% mode will cause a loss of detail, but speeds up stitching and results in a gigapan with 1/4 as many pixels as normal. This could be useful for larger images that you may be printing instead of zooming into, so the extra detail isn't necessary; or when you know that your input images are a little blurry; or if you'd like to save upload time. Keep the 50 megapixel minimum limit on uploads in mind, however. For example: if normal stitching would have yielded a 160 megapixel panorama, the '50% scale' option would generate a 40 megapixel panorama, which would be too small to upload.

Use larger blending region

A larger blending region is useful if transitions between images appear too hard-edged and abrupt.

Mercator projection instead of spherical/equirectangular

The mercator projection doesn't squash objects above or below the horizon, but cannot be used in Google Earth.

4.2 Share your panoramas online

To share your panoramas with the GigaPan community, please join www.GigaPan.com and then upload.

1. Join GigaPan.com

Become a member of the GigaPan community! Join GigaPan.com where you can explore thousands of panoramas from around the world. Visit today to share, explore and discover.



2. Uploading to GigaPan.com

Once your panorama has been stitched and you're happy with it, you can upload it to GigaPan.com.

1. Give your panorama a name and a description. The more detail you provide, the more easily it will be found in searches.
2. Give it a few tags—words that describe what you've photographed. For example: Halloween, backyard, winter, and so on. You can use as many tags as you want; separate them with a comma.
3. If you want only a select few to see your panorama, check the box for 'Private'. This way, only people you give the panorama's URL to can view it.



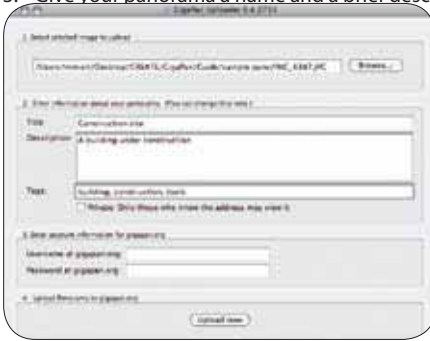
4. Enter your GigaPan.com user name and password, and click on 'Upload now'.
5. Once you have uploaded your panorama, it'll give you a URL to view it online. People can now view your panorama, zoom in and out, take snapshots of parts that they like and things they find. They can also leave comments for you. If you checked 'Private' before uploading, this is the URL you send to the people you want to share the panorama with.



Upload using third-party software

If you used a third-party tool to create your panoramas, you can upload them using the GigaPan Uploader, which also installs when you install GigaPan Stitch software.

1. Start the GigaPan Uploader ('Start' > 'Programs' > 'GigaPan Uploader' in Windows, or under 'Applications' on a Mac)
The interface of the Uploader is identical to the Upload screen in the stitching software.
2. Click 'Browse' to select the panorama you want to upload.
3. Give your panorama a name and a brief description.



4. Give it a few tags—words that describe what you've photographed.
5. If you want only a select few to see your panorama, check the box for 'Private'. This way, only people who give the panorama's URL to can view it.
6. Enter your GigaPan.com user name and password, and click on 'Upload now'.
7. When the upload is complete, you will receive a URL to view your panorama online. People can now view your panorama, zoom in and out, take snapshots of parts that they like, and leave comments for you. If you checked 'Private' before uploading, this is the URL you send to the people with whom you want to share the panorama.

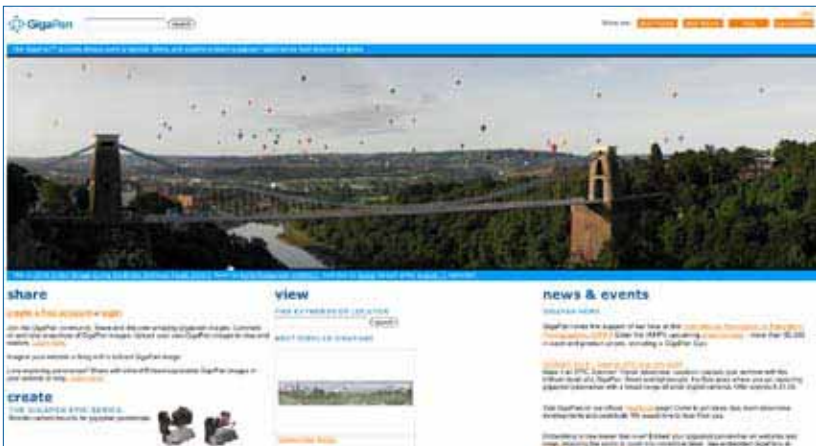
5. Exploring GigaPan.com

Enjoy thousands of brilliant gigapixel panoramas from around the world. Share, discuss, snapshot and more.

5.1 View and Share

At GigaPan.com, you can:

- Explore thousands of GigaPans from around the world, take snapshots, comment and share.
- Discover amazing ways GigaPans are being used to communicate, promote, document and provide an amazing new vision.
- Learn how to create your own GigaPans, groups and galleries.



5.2 Embed your panorama

You can easily embed your panoramas on another website with all the functionality of the GigaPan Viewer to pan and zoom.

1. Log-in to GigaPan.com, and select 'My Home' to view your panoramas.
2. Choose a panorama, and click on the 'Embed' link below it to access the Embedding Wizard.
3. The Embedding Wizard provides a list of customizable features that will automatically generate the appropriate HTML code for embedding a panorama.
4. First, select an initial view. Select 'Entire Panorama' option to embed your entire panorama just as it appears on GigaPan.com.
5. Or, select 'A Specific Snapshot' to have the embedded panorama load pre-zoomed to a snapshot of your choice. If you select 'A Specific Snapshot', click on the desired snapshot and its ID number will appear above its title and description. Enter the ID number in the text field.
6. To include additional snapshots in your embedded panorama, simply click on the desired snapshot and its ID number will appear above its title and description. Enter the snapshot ID number in the text field.
7. If you choose to include multiple snapshots, separate each ID number with a comma. (Note: the order in which you enter the snapshots will be the order that they will appear in your embedded panorama, and can be ordered however you'd like.)
8. You can include up to ten snapshots in your embedded panorama.
9. Once you've used the Embedding Wizard to customize your embedded panorama, click 'Generate HTML'. Copy the HTML code paste into your website. To preview your embedded panorama, click 'View Now'.
10. Additional options for embedding your panorama:
 - You can choose to hide the navigation controls affixed inside the viewer (Note: a user can still navigate the panorama using keyboard controls).
 - You can also choose to have your panorama's title (in white text on a blue background from GigaPan.com) displayed above the GigaPan Viewer. The title also serves as a link to your panorama's URL on GigaPan.com. If you choose not to display the title, the 'GigaPan' watermark is also a link to GigaPan.com.

To embed a panorama owned by someone else, please contact the author for permission and a copy of the embed code. Click on the author's name to view his or her profile, and select 'Send a message'.

5.3 Place your panorama on Google Earth

Share your panoramas with the world in Google Earth. Recording your panorama's location using GPS will make it easier. You'll need Google Earth 4.2 or higher to share your panoramas. You can download Google Earth from <http://earth.google.com>.

1. For the panorama you want to place on Google Earth, click on 'Place this Panorama in Google Earth'. You will be prompted to download a file called gigapan_placement.kml. (Some browsers will download this file automatically)



2. Save gigapan_placement.kml to your hard disk.
3. Open gigapan_placement.kml in Google Earth. You will most likely see your GigaPan hover in mid-air.



4. Leave Google Earth open, and go back to your browser window.
5. Choose 'Share this Gigapan with others using Google Earth'.

7. There are three ways for you to specify the location of your panorama:
 - a. If you recorded your coordinates using a GPS receiver, enter them in the text boxes below the map.
 - b. If you know the address that you took the panorama from, click on the 'Have an address?' link, enter the address in the text box, and choose 'Go there'.
 - c. If you have neither GPS co-ordinates nor and address, click and drag the map till the crosshairs are directly above the spot you took your photo from. Use the + and - buttons to zoom in and out of the map respectively.



A



B



C

If you switch back to Google Earth, you'll see that these changes are made immediately.



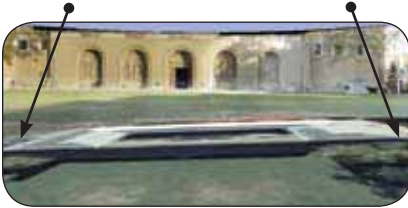
8. In Google Earth, double-click on your panorama to enter it.



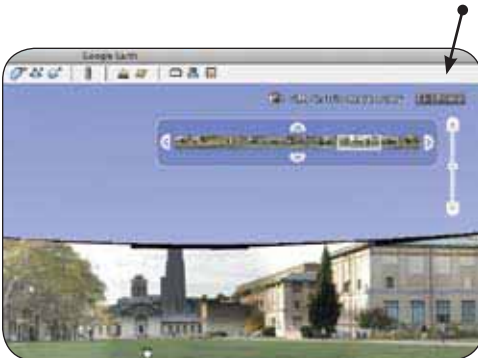
9. In your browser window, drag the 'Elevation' slider to the left to bring the panorama closer to the ground. Use Google Earth to judge your accuracy.

Note: Google Earth doesn't accept zero as a value for elevation.

10. Drag the 'Heading' slider to change the orientation of the panorama. For accurate results, try to match elements in your panorama with corresponding elements on the ground in Google Earth.



11. If your panorama still doesn't look right, click on 'advanced placement options'.
12. Drag the 'Image plane' slider to bring the panorama closer to the camera.
13. Drag the 'Image floor' slider to match the horizon in the panorama with the horizon in Google Earth.
14. If you took your panorama at an angle, use the 'Camera tilt' and 'Camera roll' sliders to rotate the panorama.
15. Tweak these settings till you're satisfied.
16. When you're done, click on 'Save Changes'.
17. To exit your panorama in Google Earth, click on 'Exit Photo'.



6. Troubleshooting

Read on to find out how to fix common problems with the GigaPan EPIC. If you don't find your solution here, contact technical support at GigaPan.com.

6.1 My photos are blurry

There could be several causes for blurry photos:

- 1. The moving platform might not have “settled” before the picture is taken.**
 - a. To get around this, turn on your camera's self-timer function and set it to 2 seconds. (Several cameras have a 2-sec self-timer built in).
- 2. The button-pusher might not be holding down the camera button long enough.**
 - a. Navigate to 'Options' > 'Expert Options' > 'Button Hold' in the EPIC Menu.
 - b. Use the directional keys to increase the time that the button-pusher will hold the camera button down.
- 3. The platform might be moving before your camera has taken and stored the picture.**
 - a. Navigate to 'Options' > 'Time Per Pic' in the EPIC Menu.
 - b. Use the directional keys to increase the time that the EPIC will wait before moving. This is especially useful for night-time panoramas.

6.2 My camera is missing pictures

There are two reasons for your camera to miss pictures:

- 1. The EPIC's platform is moving faster than your camera can take pictures.**
 - a. Navigate to 'Options' > 'Time Per Pic' in the EPIC Menu.
 - b. Use the directional keys to increase the time that the EPIC will wait before moving.
- 2. The button-pusher isn't pushing your camera's button down long enough.**
 - a. Navigate to 'Options' > 'Expert Options' > 'Button Hold' in the EPIC Menu.
 - b. Use the directional keys to increase the time that the button-pusher will hold the camera button down.

6.3 I want to remove the checklist before every panorama

To turn off the checklist before every panorama, navigate to 'Options' > 'Expert Options' > 'Checklist' and use the directional keys to turn the checklist on or off.

6.4 My panoramas are distorted or misaligned

There could be several causes for distorted or misaligned panoramas:

1. Check your setup for errors.

a. Go through the Set-up steps in Chapter 2.

Note: Remember that you must repeat this every time you change the camera you're using.

b. Make sure that your camera is tightly mounted on the EPIC unit.

c. Make sure that the EPIC is firmly mounted on your tripod.

d. Make sure that your tripod is on steady ground.

e. Make sure that nothing disturbs the EPIC while it's taking photographs.

2. Make adjustments for vertical or horizontal lines in your panorama.

GigaPan Stitch software aligns the larger elements of photos, and thus might ignore vertical or horizontal lines such as poles and window frames.

a. Try to avoid taking panoramas with too many vertical lines in the foreground.

b. Try using a third-party tool to stitch your panorama.

3. Check and adjust the platform's forward-back position.

If you're taking macro panoramas (that is, really close to the subject), you'll need to adjust the position of the platform, so that the EPIC rotates your camera about its "nodal point".

a. Turn to Chapter 2.8: Finding your camera's nodal point. *Note: This is a time-consuming process, and should only be used when necessary. However, it may be necessary for panoramas that have subjects that are both close and far away, and macro panoramas.*

6.5 My computer freezes while GigaPan Stitch software is working

GigaPan Stitch software needs a lot of processing power to stitch panoramas, and will use up nearly 100 percent of your CPU, leaving little for other programs. In addition, larger panoramas need more power, and take more time. So while it might appear that your computer is frozen, it's just the stitching software working hard. Ideally, you should avoid working on your computer while the stitching software is running.

To monitor the stitching software in Windows, turn on the Task Manager ([Ctrl] + [Shift] + [Esc]). If the stitching software reports "Not Responding", use the 'report a bug' feature under the 'help' tab of the stitching software or contact tech support via GigaPanSystems.com.

On the Mac, you can monitor the stitching software using the Activity Monitor ('Applications' > 'Utilities' > 'Activity Monitor'). If the stitching software reports "Not Responding", use the 'report a bug' feature under the 'help' tab of the stitching software or contact tech support via GigaPanSystems.com.

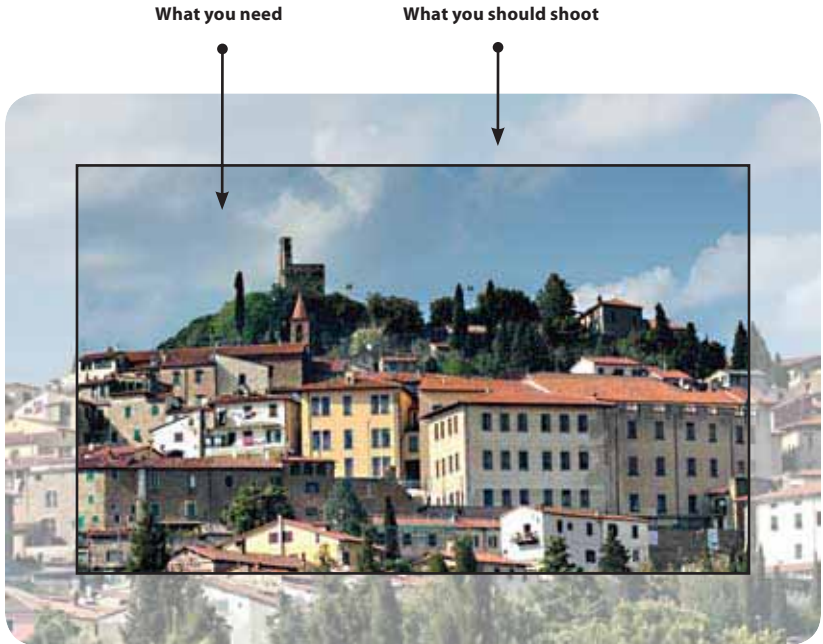
7. Tips and tricks

Here are some tips and tricks to make the most of your panoramas. Also, check out the creative ideas and advanced tips to go beyond the basics with your shots.

Shoot more than you need

Always take a larger panorama than you need to. Because stitched panoramas are rarely rectangular, you will need to crop your panorama to print it out. This could lead to a lot of lost information, especially at the boundaries.

Another good idea is to set your lower-right corner so that it's just after the point when the number of horizontal and vertical photos increases. For example, if the EPIC shows you 20 horizontal and 10 vertical images, move it lower and to the right so that it reads 21 horizontal and 11 vertical.



Shooting in different environments

1. Outdoors



Try these settings for photographing huge vistas:

1. Focus on an important element of the scene and turn on the Focus Lock on your camera.
2. Focus on an element that isn't too bright or too dark, and turn on the Exposure Lock on your camera.
3. Set your camera's White Balance to either Sunlight or Cloudy, depending on the weather. Do not leave it at Auto.
4. Make sure that the sun is behind you. If this isn't possible, hide the sun behind an object.

The EPIC's default settings will work fine for outdoor scenes.

2. Indoors



With indoor scenes, you may experience poor lighting, and/or objects that will be quite close to your camera.

Turning off the Focus Lock, and letting your camera use auto-focus, *may* help produce better results in indoor settings, however, we recommend that you try it with the focus locked and unlocked to see which gives the best results for your shot.

1. In the EPIC Menu, navigate to 'Options' > 'Time Per Pic'.
2. Use the directional keys to increase the time to at least 3 seconds.
3. Navigate to 'Options' > 'Expert Options' > 'Button Hold'.
4. Use the directional keys to increase the time to 1.5 seconds.
5. Before you begin your final panorama, take a 2x2 panoramam to test your setup.
6. In your camera's screen, make sure that every shot is clear even at the highest zoom level.

3. Night shots



Here are a few tips for shooting panoramas at night. The key is to Increase the exposure time for each photo and make sure that the EPIC and your camera are free from vibrations.

1. If your camera has Image Stabilization, turn the feature off.
2. Increase the exposure setting for your camera. Preview the effect in the camera's screen until you're satisfied.
3. Change the ISO setting to 200 or less. This will prevent your pictures from becoming grainy.
4. In the EPIC Menu, navigate to 'Options' > 'Time Per Pic'.
5. Use the directional keys to increase the time to at least 5 seconds.
6. Navigate to 'Options' > 'Expert Options' > 'Button Hold'.
7. Use the directional keys to increase the time to 2-3 seconds.
8. Before you begin your final panorama, take a 2x2 panorama to test your setup.
9. In your camera's screen, make sure that every shot is clear even at the highest zoom level.

4. City scenes



Capture panoramas of your hometown city or vacation destinations.

In cities, you need to be more aware of objects in motion—specifically vehicles and people. You may also find that buildings can get distorted when you stitch your panorama.

To avoiding moving objects, watch for people or street traffic that might get in the way of your shots - pause the panorama before they do and resume the panorama after they have left the frame, or pause go back and resume where you left off. This may not always be feasible, so you can also retake the shot where the moving object got in the way and insert it into your image in post-production. (Remember to remove any extra images you shoot before stitching)

A few tips if you're shooting buildings:

1. Try to get as far from the building as possible to capture the full building.
2. Instead of facing the building, shoot it from a 45° angle for a unique perspective.
3. Make sure that the corner of the building is at the center of your scene.

Create Games: Hide & Seek

Make your panorama fun to explore by hiding interesting objects, and create a list of these things for your friends to find.

You can either hide items in your scene before shooting the panorama, or insert images into your panorama in post-production.

Just follow these instructions when you are uploading your panorama to turn it into a fun hide & seek game:

1. When you upload your panorama to GigaPan.com, click on 'Edit'.
2. Check the 'Is a Game' box.
3. List the objects you've hidden in your panorama comments.



Panoramas in Motion: Capturing a Crowd

Sporting events, races or crowds of people are great opportunities to take an epic shot that captures every detail of the moment. You'll be sure to capture every face in the crowd.



When shooting a panorama of a sporting event that has a lot of motion, capture the whole scene and crowd, and then re-shoot the areas in motion individually. Drop these individual shots into the final panorama during post-production and you won't have any "ghosts" or missing people.

Also, set your tripod above the crowd or at an elevated level to capture the full scene.

Shooting a 360 degree panorama

Taking a 360 degree panorama is easy and is similar to shooting any other panorama. Instead of setting the EPIC to the upper left and lower right corners of the panorama, you just have to set it to the top and bottom.

1. Use the directional keys on the EPIC screen to navigate to '360 Panorama' in the menu and press OK.
2. Set your camera to its full zoom level and press OK.
3. Use the directional keys to point the camera to the top of your scene and press OK.
4. Use the directional keys to point the camera to the bottom of your scene and press OK.
5. You can preview the panorama before it begins. Press OK to preview or press X to continue without a preview.
6. Confirm whether you want to go ahead with the panorama, and the EPIC will run you through a checklist before it starts taking pictures.
7. Watch the scene while the EPIC takes your panorama to make sure it does not miss a picture and no one steps into your frame. If so, press X to pause the panorama and use the directional keys to go back to an earlier camera position.